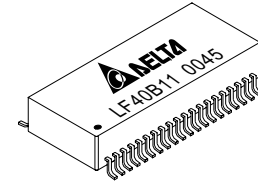




# ETHERNET 10BASE-T QUAD TRANSFORMER MODULES

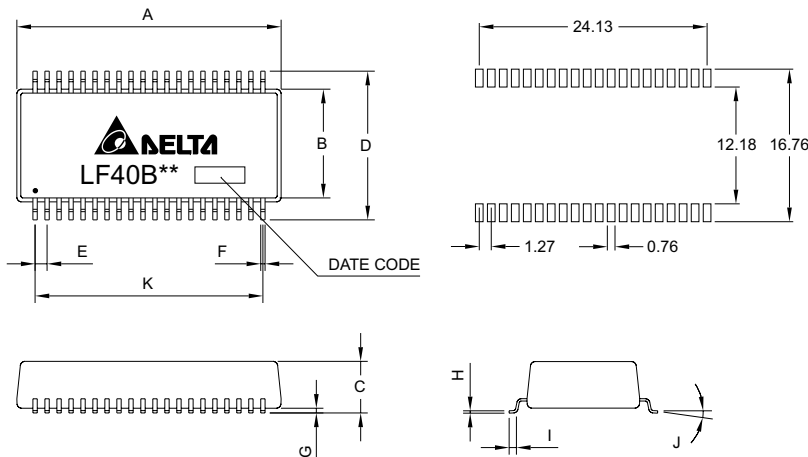
## Networking Components



### ELECTRICAL CHARACTERISTICS @25°C

Model	OCL (Min) (uH)		LK (Max) (uH) TX/RX	CP (pf) Max	DCR (Max) (Ohm)		Turns Ratio TX/RX (5%)	Hi-Pot (60Sec) (Vrms)
	TX	RX			TX	RX		
LF40B11	100±20%	100±20%	0.3	12	0.3	0.3	1:1/1:1	1500
LF40B14	140	140	0.3	12	0.3	0.3	1:1.414/1:1	1500
LF40B17	400	100	0.3	12	0.5	0.5	2:1/1:1	1500
LF40B20	50	200	0.3	12	0.35	0.5	1:2/1:1	1500
LF40B28	100±20%	100±20%	0.3	12	0.3	0.4	1:1/1:1	1500
LF40B30	100±20%	100±20%	0.3	12	0.3	0.3	1:1/1:1	1500
LF40B31	140	140	0.3	12	0.3	0.3	1:1.414/1:1	1500
LF40B34	150	150	0.3	20	0.3	0.3	1:1.414/1:1	1500
LF40B35	150	150	0.3	20	0.3	0.3	1:1.414/1:1	1500
LF40B43	150	100	0.5	12	0.4	0.4	1:1/1:1	1500
LF40B44	100±20%	100±20%	0.5/0.3	10	0.8	0.4	1:1.414/1:1	1500
LF40B45	150	150	0.3	12	0.3	0.3	1:1.414/1:1	1500
LF40B47	500	150	1.0/0.4	12	0.6	0.3	2:1/1:1	1500
LF40B48	500	150	1.0/0.4	12	0.6	0.3	2:1/1:1	1500
LF40B49	500	150	1.0/0.4	12	0.6	0.3	2:1/1:1	1500

### MECHANICAL CONSTRUCTION



- UNIT : mm / inch
- A = 28.00±0.254 / 1.102±0.010
  - B = 12.00±0.254 / 0.472±0.010
  - C = 5.80±0.254 / 0.228±0.010
  - D = 16.00±0.254 / 0.630±0.010
  - E = 1.27 / 0.050 (TYP)
  - F = 0.46±0.127 / 0.018±0.005
  - G = 0.254±0.127 / 0.010±0.005
  - H = 0.254 / 0.010 (TYP)
  - I = 1.00±0.254 / 0.039±0.010
  - J = 0° ~ 8°
  - K = 24.13 / 0.950 (TYP)

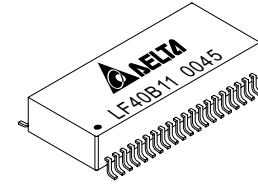
### DELTA ELECTRONICS, INC.

(TAOYUAN PLANT CPBG) 31-1, SHIEN PAN ROAD, KUEI SAN INDUSTRIAL ZONE, TAOYUAN SHIEN, TAIWAN, R.O.C.  
 TEL: 886-3-3626301; FAX: 886-3-3618901  
 www.deltaww.com/products/networking/



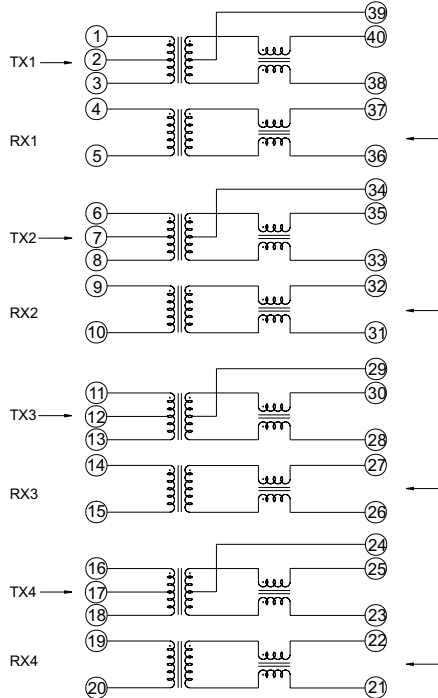
# ETHERNET 10BASE-T QUAD TRANSFORMER MODULES

## Networking Components

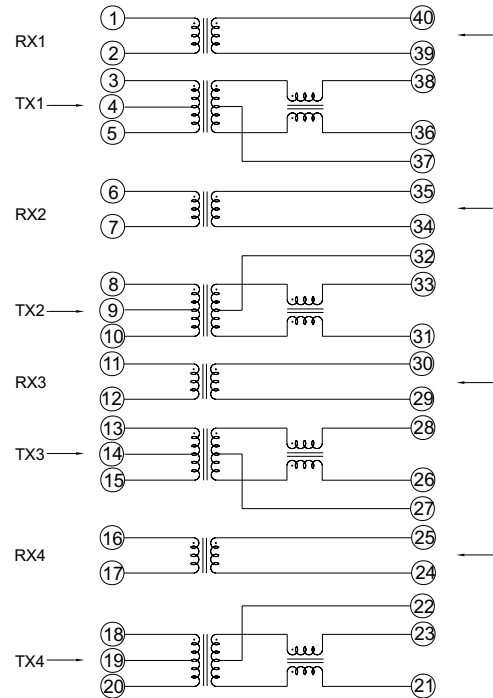


### SCHEMATICS

LF40B11, LF40B14, LF40B17, LF40B20



LF40B28



### PIN ASSIGNMENT

**Port 1**

Pin Name	Pin#	Pin#	Pin Name
TD+1	1	.....40	TX+1
TCT 1	2	.....39	CMT1
TD-1	3	.....38	TX-1
RD+1	4	.....37	RX+1
RX-1	5	.....36	RX-1

**Port 3**

Pin Name	Pin#	Pin#	Pin Name
TD+3	11	.....30	TX+3
TCT 3	12	.....29	CMT3
TD-3	13	.....28	TX-3
RD+3	14	.....27	RX+3
RD-3	15	.....26	RX-3

**Port 2**

Pin Name	Pin#	Pin#	Pin Name
TD+2	6	.....35	TX+2
TCT 2	7	.....34	CMT2
TD-2	8	.....33	TX-2
RD+2	9	.....32	RX+2
RX-2	10	.....31	RX-2

**Port 4**

Pin Name	Pin#	Pin#	Pin Name
TD+4	16	.....25	TX+4
TCT 4	17	.....24	CMT4
TD-4	18	.....23	TX-4
RD+4	19	.....22	RX+4
RD-4	20	.....21	RX-4

### PIN ASSIGNMENT

**Port 1**

Pin Name	Pin#	Pin#	Pin Name
TD+1	3	.....38	TX+1
TCT 1	4	.....37	CMT1
TD-1	5	.....36	TX-1
RD+1	1	.....40	RX+1
RX-1	2	.....39	RX-1

**Port 3**

Pin Name	Pin#	Pin#	Pin Name
TD+3	13	.....28	TX+3
TCT 3	14	.....27	CMT3
TD-3	15	.....26	TX-3
RD+3	11	.....30	RX+3
RD-3	12	.....29	RX-3

**Port 2**

Pin Name	Pin#	Pin#	Pin Name
TD+2	8	.....33	TX+2
TCT 2	9	.....32	CMT2
TD-2	10	.....31	TX-2
RD+2	6	.....35	RX+2
RX-2	7	.....34	RX-2

**Port 4**

Pin Name	Pin#	Pin#	Pin Name
TD+4	18	.....23	TX+4
TCT 4	19	.....22	CMT4
TD-4	20	.....21	TX-4
RD+4	16	.....25	RX+4
RD-4	17	.....24	RX-4

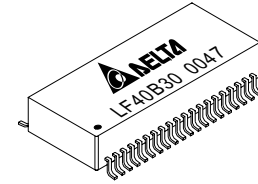
DELTA ELECTRONICS, INC.

(TAOYUAN PLANT CPBG) 31-1, SHIEN PAN ROAD, KUEI SAN INDUSTRIAL ZONE, TAOYUAN SHIEN, TAIWAN, R.O.C.  
 TEL: 886-3-3626301; FAX: 886-3-3618901  
 www.deltaww.com/products/networking/



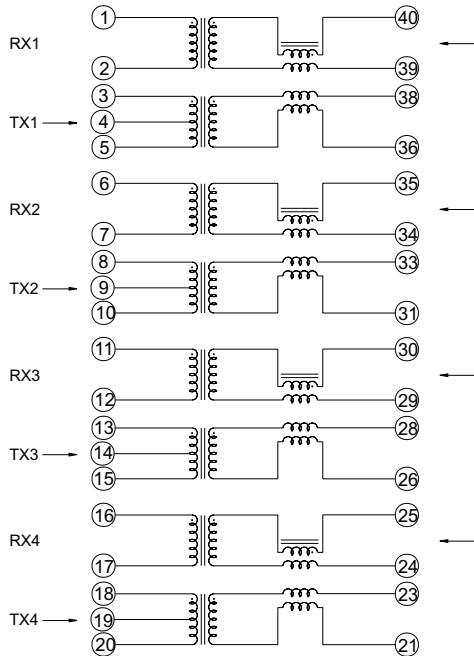
# ETHERNET 10BASE-T QUAD TRANSFORMER MODULES

## Networking Components

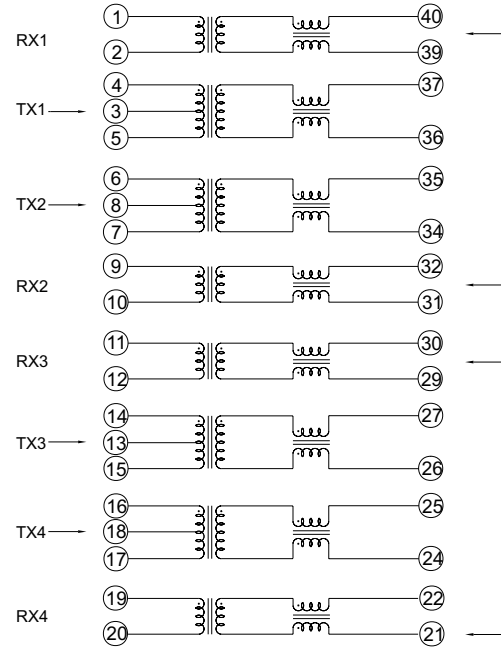


### SCHEMATICS

LF40B30, LF40B31



LF40B43, LF40B44



### PIN ASSIGNMENT

Port 1

Pin Name	Pin#	Pin#	Pin Name
TD+1	3	.....38	TX+1
TCT 1	4		
TD-1	5	.....36	TX-1
RD+1	1	.....40	RX+1
RX-1	2	.....39	RX-1

Port 3

Pin Name	Pin#	Pin#	Pin Name
TD+3	13	.....28	TX+3
TCT 3	14		
TD-3	15	.....26	TX-3
RD+3	11	.....30	RX+3
RD-3	12	.....29	RX-3

Port 2

Pin Name	Pin#	Pin#	Pin Name
TD+2	8	.....33	TX+2
TCT 2	9		
TD-2	10	.....31	TX-2
RD+2	6	.....35	RX+2
RX-2	7	.....34	RX-2

Port 4

Pin Name	Pin#	Pin#	Pin Name
TD+4	18	.....23	TX+4
TCT 4	19		
TD-4	20	.....21	TX-4
RD+4	16	.....25	RX+4
RD-4	17	.....24	RX-4

### PIN ASSIGNMENT

Port 1

Pin Name	Pin#	Pin#	Pin Name
TD+1	4	.....37	TX+1
TCT 1	3		
TD-1	5	.....36	TX-1
RD+1	1	.....40	RX+1
RD-1	2	.....39	RX-1

Port 3

Pin Name	Pin#	Pin#	Pin Name
TD+3	14	.....27	TX+3
TCT 3	13		
TD-3	15	.....26	TX-3
RD+3	11	.....30	RX+3
RD-3	12	.....29	RX-3

Port 2

Pin Name	Pin#	Pin#	Pin Name
TD+2	6	.....35	TX+2
TCT 2	8		
TD-2	7	.....34	TX-2
RD+2	9	.....32	RX+2
RD-2	10	.....31	RX-2

Port 4

Pin Name	Pin#	Pin#	Pin Name
TD+4	16	.....25	TX+4
TCT 4	18		
TD-4	17	.....24	TX-4
RD+4	19	.....22	RX+4
RD-4	20	.....21	RX-4

DELTA ELECTRONICS, INC.

(TAOYUAN PLANT CPBG) 31-1, SHIEN PAN ROAD, KUEI SAN INDUSTRIAL ZONE, TAOYUAN SHIEN, TAIWAN, R.O.C.

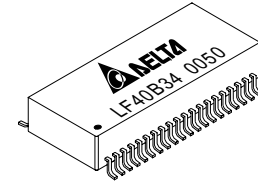
TEL: 886-3-3626301; FAX: 886-3-3618901

www.deltaww.com/products/networking/



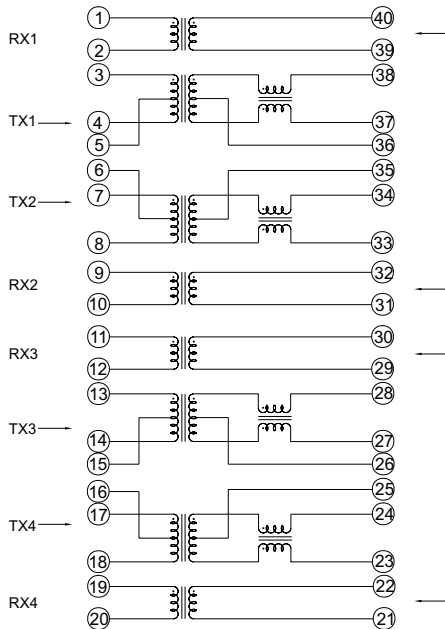
# ETHERNET 10BASE-T QUAD TRANSFORMER MODULES

## Networking Components

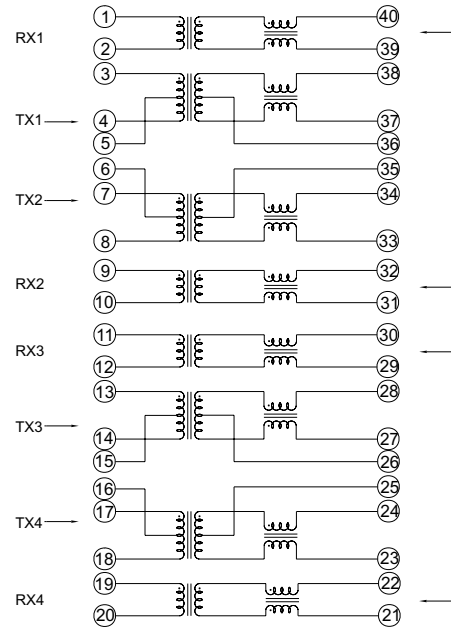


### SCHEMATICS

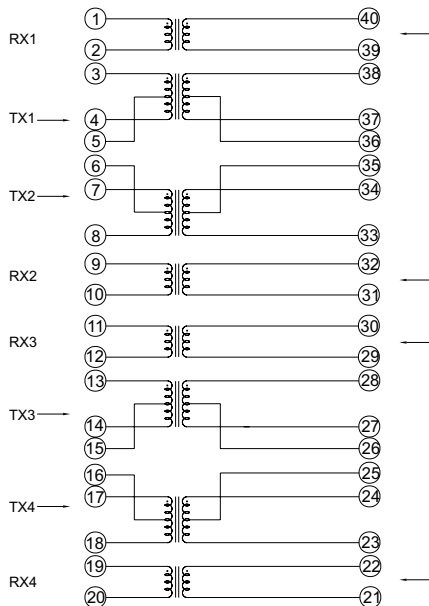
**LF40B34**



**LF40B35**



**LF40B45**



### PIN ASSIGNMENT

**Port 1**

Pin Name	Pin#	Pin#	Pin Name
TD+1	3.....38		TX+1
TCT 1	5.....36		CMT1
TD-1	4.....37		TX-1
RD+1	1.....40		RX+1
RX-1	2.....39		RX-1

**Port 3**

Pin Name	Pin#	Pin#	Pin Name
TD+3	13.....28		TX+3
TCT 3	15.....26		CMT3
TD-3	14.....27		TX-3
RD+3	11.....30		RX+3
RD-3	12.....29		RX-3

**Port 2**

Pin Name	Pin#	Pin#	Pin Name
TD+2	7.....34		TX+2
TCT 2	6.....35		CMT2
TD-2	8.....33		TX-2
RD+2	9.....32		RX+2
RX-2	10.....31		RX-2

**Port 4**

Pin Name	Pin#	Pin#	Pin Name
TD+4	17.....24		TX+4
TCT 4	16.....25		CMT4
TD-4	18.....23		TX-4
RD+4	19.....22		RX+4
RD-4	20.....21		RX-4

**DELTA ELECTRONICS, INC.**

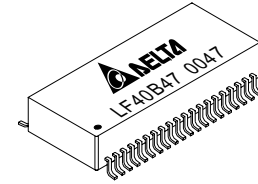
(TAOYUAN PLANT CPBG) 31-1, SHIEN PAN ROAD, KUEI SAN INDUSTRIAL ZONE, TAOYUAN SHIEN, TAIWAN, R.O.C.

TEL: 886-3-3626301; FAX: 886-3-3618901

www.deltaww.com/products/networking/

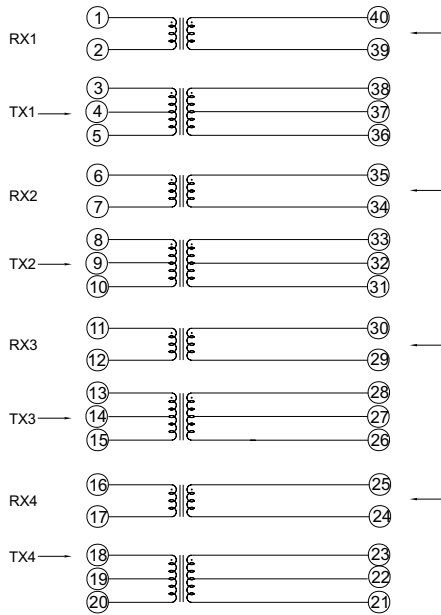


# Networking Components

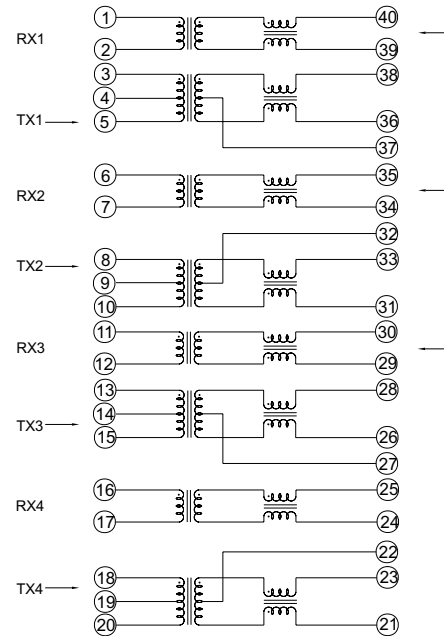


## S SCHEMATICS

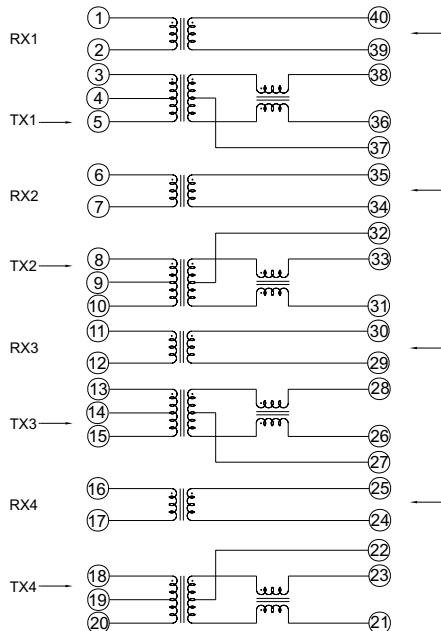
LF40B47



LF40B48



LF40B49



## P PIN ASSIGNMENT

Port 1

Pin Name	Pin#	Pin#	Pin Name
TD+1	3	.....38	TX+1
TCT 1	4	.....37	CMT1
TD-1	5	.....36	TX-1
RD+1	1	.....40	RX+1
RD-1	2	.....39	RX-1

Port 3

Pin Name	Pin#	Pin#	Pin Name
TD+3	13	.....28	TX+3
TCT 3	14	.....27	CMT3
TD-3	15	.....26	TX-3
RD+3	11	.....30	RX+3
RD-3	12	.....29	RX-3

Port 2

Pin Name	Pin#	Pin#	Pin Name
TD+2	8	.....33	TX+2
TCT 2	9	.....32	CMT2
TD-2	10	.....31	TX-2
RD+2	6	.....35	RX+2
RD-2	7	.....34	RX-2

Port 4

Pin Name	Pin#	Pin#	Pin Name
TD+4	18	.....23	TX+4
TCT 4	19	.....22	CMT4
TD-4	20	.....21	TX-4
RD+4	16	.....25	RX+4
RD-4	17	.....24	RX-4

DELTA ELECTRONICS, INC.

(TAOYUAN PLANT CPBG) 31-1, SHIEN PAN ROAD, KUEI SAN INDUSTRIAL ZONE, TAOYUAN SHIEN, TAIWAN, R.O.C.

TEL: 886-3-3626301; FAX: 886-3-3618901

www.deltaww.com/products/networking/