



Resonant Mode Power Supply Controller

FEATURES

- 3MHz VFO Linear over 100:1 Range
- 5MHz Error Amplifier with Controlled Output Swing
- Programmable One Shot Timer—Down to 100ns
- Precision 5V Reference
- Dual 2A Peak Totem Pole Outputs
- Programmable Output Sequence
- Programmable Under Voltage Lockout
- Very Low Start Up Current
- Programmable Fault Management & Restart Delay
- Uncommitted Comparator

DESCRIPTION

The UC1860 family of control ICs is a versatile system for resonant mode power supply control. This device easily implements frequency modulated fixed-on-time control schemes as well as a number of other power supply control schemes with its various dedicated and programmable features.

The UC1860 includes a precision voltage reference, a wide-bandwidth error amplifier, a variable frequency oscillator operable to beyond 3MHz, an oscillator-triggered one-shot, dual high-current totem-pole output drivers, and a programmable toggle flip-flop. The output mode is easily programmed for various sequences such as A, off, B, off; A & B, off; or A, B, off. The error amplifier contains precision output clamps that allow programming of minimum and maximum frequency.

The device also contains an uncommitted comparator, a fast comparator for fault sensing, programmable soft start circuitry, and a programmable restart delay. Hic-up style response to faults is easily achieved. In addition, the UC1860 contains programmable under voltage lockout circuitry that forces the output stages low and minimizes supply current during start-up conditions.

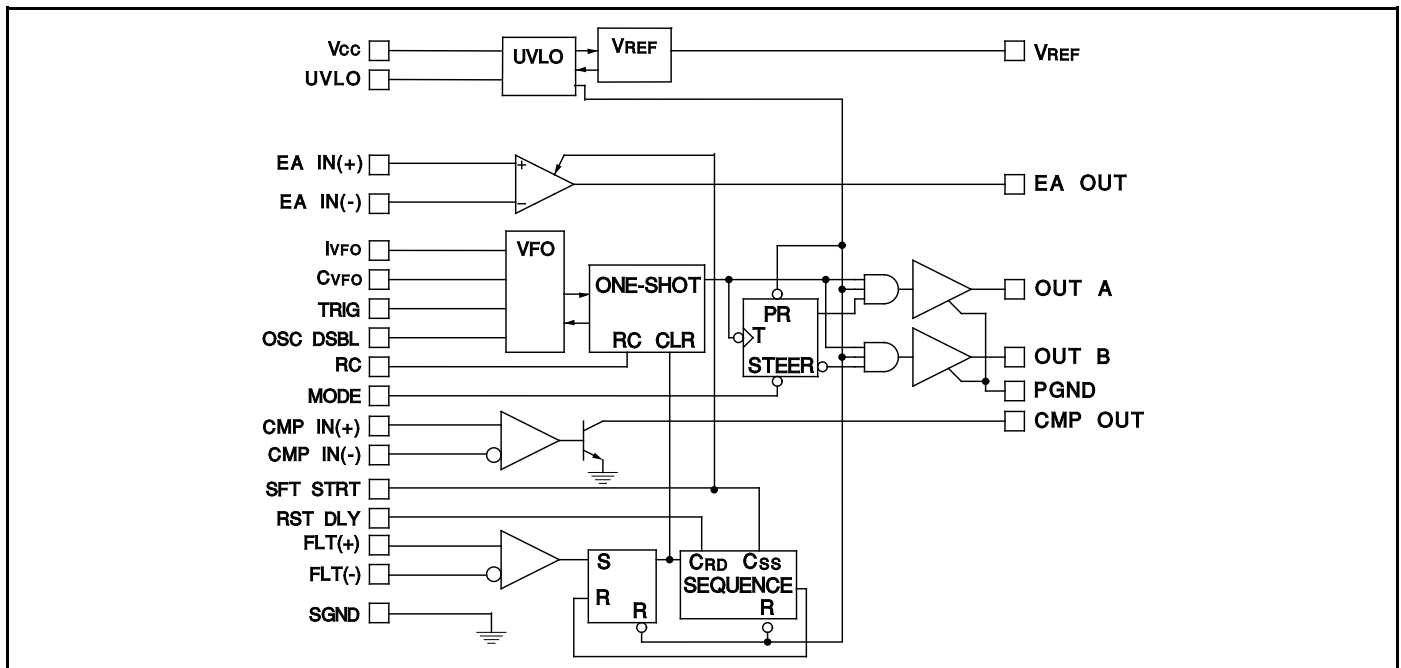
ABSOLUTE MAXIMUM RATINGS

Supply Voltage (pin 19)	20V
Output Current, Source or Sink (pins 17 & 20)	
DC	0.8A
Pulse (0.5 μ s)	3.0A
Power Ground Voltage	± 0.2 V
Inputs (pins 1, 2, 3, 4, 8, 9, 11, 12, 13, 14, 21, 22, 23 & 24)	-0.4 to 6V
Error Amp Output Current, Source or Sink (pin 5)	2mA
Ivfo Current (pin 7)	2mA
Comparator Output Current (pin 15)	5mA

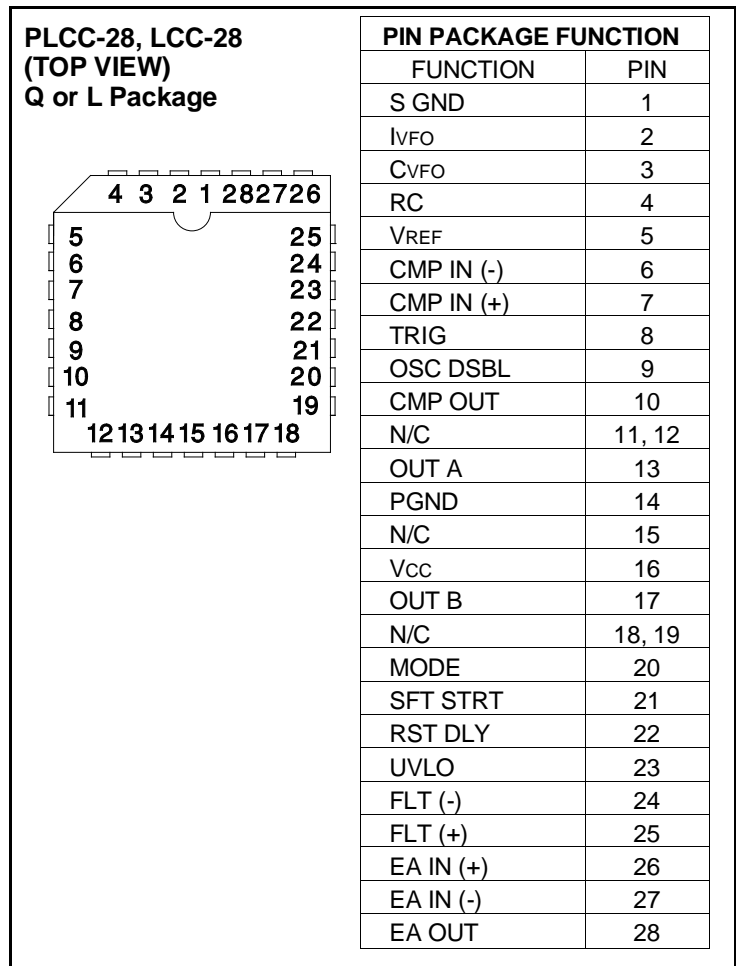
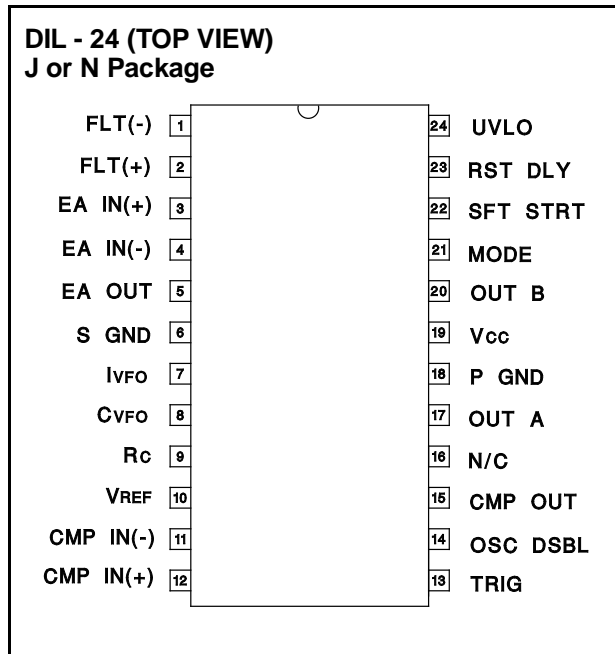
Comparator Output Voltage (pin 15)	15V
Soft Start or Restart Delay Sink Current (pins 22 & 23)	5mA
Power Dissipation at TA = 50°C (DIP)	1.25W
Power Dissipation at TA = 50°C (PLCC)	1W
Lead Temperature (Soldering, 10 seconds)	300°C

Note: All voltages are with respect to signal ground and all currents are positive into the specified terminal. Pin numbers refer to the DIP. Refer to Packaging Section of Databook for thermal limitations and considerations of packages.

BLOCK DIAGRAM



CONNECTION DIAGRAM



ELECTRICAL CHARACTERISTICS: Unless otherwise stated, all specifications apply for $-55^{\circ}\text{C} \leq T_A \leq 125^{\circ}\text{C}$ for the UC1860, $-25^{\circ}\text{C} \leq T_A \leq 85^{\circ}\text{C}$ for the UC2860, $0 \leq T_A \leq 70^{\circ}\text{C}$ for the UC3860, $V_{cc} = 12\text{V}$, $C_{vFO} = 330\text{pF}$, $I_{vFO} = 0.5\text{mA}$, $C = 330\text{pF}$, and $R = 2.7\text{k}$, $T_A = T_J$.

PARAMETER	CONDITIONS	MIN	TYP	MAX	UNITS
Reference Section					
Output Voltage	$T_A = 25^{\circ}\text{C}$, $I_o = 0$	4.95	5.00	5.05	V
	$I_o = 0$, Over Temp	4.93		5.07	V
Line Regulation	$10 \leq V_{cc} \leq 20\text{V}$		2	15	mV
Load Regulation	$0 \leq I_o \leq 10\text{mA}$		2	25	mV
Output Noise Voltage*	$10\text{Hz} \leq f \leq 10\text{kHz}$		50		μVRMS
Short Circuit Current	$V_{REF} = 0\text{V}$	-150		-15	mA
Error Amplifier Section					
Input Offset Voltage	$2.8 \leq V_{CM} \leq 4.5\text{V}$		1	8	mV
Input Bias Current			50	500	nA
Open Loop Gain	$dV_o = 1.5\text{V}$	60	80		dB
PSRR	$10 \leq V_{cc} \leq 20\text{V}$	70	100		dB
Output Low ($V_o - V_{IvFO}$)	$-0.1 \leq I_o \leq 0.1\text{mA}$	-8	0	8	mV
Output High ($V_o - V_{IvFO}$)	$-0.5 \leq I_o \leq 0.5\text{mA}$	1.9	2	2.1	V
Unity Gain Bandwidth*	$R_{IN} = 2\text{k}$	4	5		MHz
Oscillator Section					
Nominal Frequency*		1.0	1.5	2.0	MHz
dF/dIosc*	$100 \leq I_{vFO} \leq 500\mu\text{A}$	2	3	4	GHz/A

*Guaranteed by design but not 100% tested.

ELECTRICAL CHARACTERISTICS: Unless otherwise stated, all specifications apply for $-55^{\circ}\text{C} \leq T_A \leq 125^{\circ}\text{C}$ for the UC1860, $-25^{\circ} \leq T_A \leq 85^{\circ}\text{C}$ for the UC2860, $0 \leq T_A \leq 70^{\circ}\text{C}$ for the UC3860, $V_{CC} = 12\text{V}$, $C_{VFO} = 330\text{pF}$, $I_{VFO} = 0.5\text{mA}$, $C = 330\text{pF}$, and $R = 2.7\text{k}$, $T_A = T_J$.

PARAMETER	CONDITIONS	MIN	TYP	MAX	UNITS
Oscillator Section (cont'd)					
Trig in Threshold		1.0	1.4	1.8	V
Trig in Open Circuit Voltage		0.7	0.9	1.1	V
Trig in Delta ($V_{TH}-V_{OC}$)		0.3	0.5	0.7	V
Trig in Input Resistance	dV TRIG = V_{OC} to V_{TH}	5	12	25	k Ω
Minimum Trig in Pulse Width*			3	10	ns
Osc. Disable Threshold		1.0	1.4	1.8	V
One Shot Timer					
On Time*		150	200	250	ns
Clamp Frequency*	$I_{VFO} = 1.5\text{mA}$	2.8	3.7	4.6	MHz
Dead Time*	$I_{VFO} = 1.5\text{mA}$	35	70	100	ns
Output Stage					
Output Low Saturation	20mA		0.2	0.4	V
	200mA		0.5	2.2	V
Output High Saturation	-20mA		1.5	2.0	V
	-200mA		1.7	2.5	V
Rise/Fall Time*	$C_{LOAD} = 1\text{nF}$		15	30	ns
UVLO Low Saturation	20mA		0.8	1.5	V
Output Mode Low Input				0.4	V
Output Mode High Input		2.0			V
Under Voltage Lockout Section					
Vcc Comparator Threshold	On	16	17.3	18.5	V
	Off	9.5	10.5	12	V
UVLO Comparator Threshold	On	3.6	4.2	4.8	V
	Hysteresis	0.2	0.4	0.6	V
UVLO Input Resistance	$UVLO = 4/V_{CC} = 8$	10	23	50	k Ω
VREF Comparator Threshold	$V_{CC} = UVLO = V_{REF}$		4.5	4.9	V
Supply Current					
I _{CC}	$V_{CC} = 12\text{V}$, $V_{osc DSBL} = 3\text{V}$		30	40	mA
I _{START}	UVLO pin open $V_{CC} = V_{CC}(\text{on}) - 0.3\text{V}$		0.3	0.5	mA
Fault Comparator					
Input Offset Voltage	$-0.3 \leq V_{CM} \leq 3\text{V}$		2	10	mV
Input Bias Current	$V_{CM} = 0\text{V}$		100	200	μA
Input Offset Current	$V_{CM} = 0\text{V}$		10	30	μA
Propagation Delay To Output*	$\pm 50\text{mV}$ input		100	150	ns
Uncommitted Comparator					
Input Offset Voltage	$-0.3 \leq V_{CM} \leq 3\text{V}$		2	10	mV
Input Bias Current	$V_{CM} = 0\text{V}$		100	200	μA
Input Offset Current	$V_{CM} = 0\text{V}$		10	30	μA
Output Low Voltage	$I_o = 2\text{mA}$		0.3	0.5	V
Propagation Delay To Sat*	$\pm 50\text{mV}$ input, 2.5k load to 5V		50	100	ns
Soft Start/Restart Control Section					
Saturation Voltage (2 pins)	$I_{SINK} = 100\mu\text{A}$		0.2	0.5	V
Charge Current (2 pins)		2	5	10	μA
Restart Delay Threshold		2.8	3.0	3.2	V

*Guaranteed by design but not 100% tested.

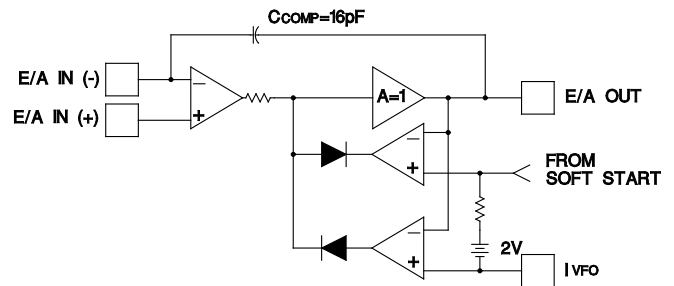
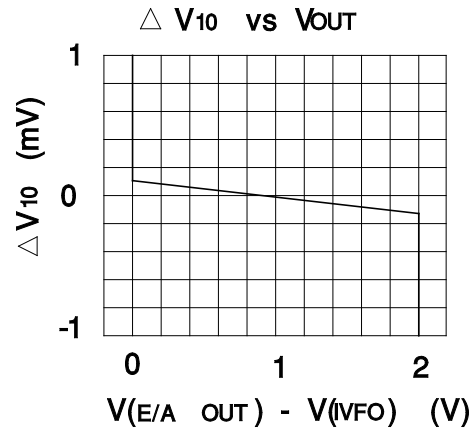
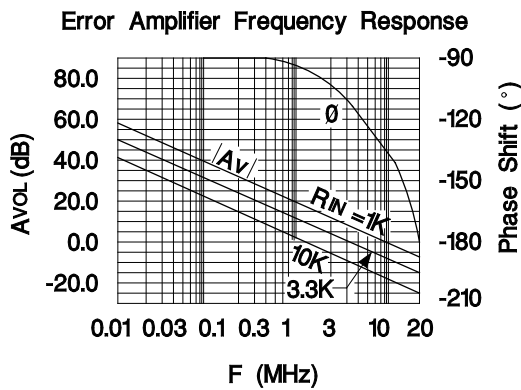
ERROR AMPLIFIER

The error amplifier is a high gain, low offset, high bandwidth design with precise limits on its output swing. The bandwidth of the amplifier is externally determined by the resistance seen at the inverting input. Unity gain bandwidth is approximately:

$$\text{Frequency (0dB)} = 1/(2\pi * R_{IN} (-) * C_{COMP})$$

The input common mode range of the amplifier is from 2.8 to 4.5V. As long as one pin is within this range, the other can go as low as zero.

The output swing with respect to the I_{VFO} pin is limited from zero to 2V. Note that pulling Sft Strt (soft start) low will lower the reference of the upper clamp. The lower clamp, however, will dominate should the upper clamp reference drop below the lower reference.

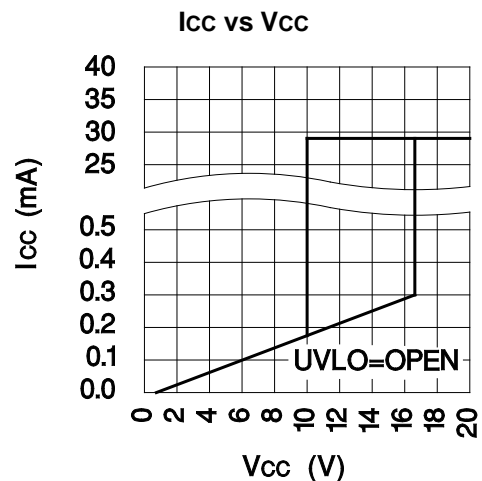
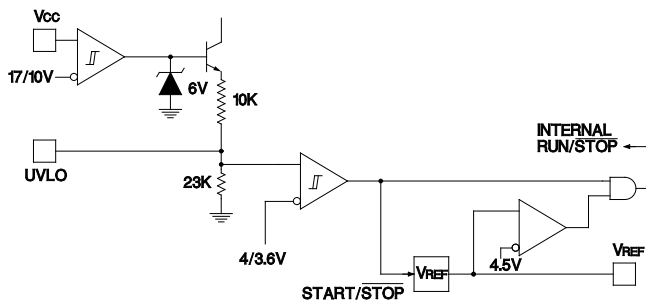


UNDER VOLTAGE LOCKOUT SECTION

The under voltage lockout consists of three comparators that monitor V_{CC}, UVLO and V_{REF}. The V_{REF} comparator makes sure that the reference voltage is sufficiently high before operation begins. When the UVLO comparator is low, the outputs are driven low, the fault latch is reset, the soft start pin is discharged, and the toggle flip-flop is loaded for output A.

The V_{CC} comparator is used for off-line applications by leaving the UVLO pin open. In this application the supply current is typically less than 0.3mA during start-up.

The UVLO comparator is used for DC to DC applications or to gate the chip on and off. To utilize its hysteretic threshold by an external resistive divider, the internal impedance of the pin must be accounted for. To run from a 5V external supply, UVLO, V_{CC}, and V_{REF} are tied together.



VARIABLE FREQUENCY OSCILLATOR

The VFO block is controlled through 4 pins: CVFO, IVFO, Osc Dsbl (oscillator disable), and Trig (trigger input). Oscillator frequency is approximately:

$$Frequency = IVFO / (CVFO * 1V)$$

With a fixed capacitor and low voltage applied to Trig and Osc Dsbl, frequency is linearly modulated by varying the current into the IVFO pin.

The Trig and Osc Dsbl inputs are used to modify VFO operation. If Osc Dsbl is held high, the oscillator will complete the current cycle but wait until Osc Dsbl is returned low to initiate a new cycle. If a pulse is applied to Trig during a cycle, the oscillator will immediately initiate a new cycle. Osc Dsbl has priority over Trig, but if a trigger pulse is received while Osc Dsbl is high, the VFO will remember the trigger pulse and start a new cycle as soon as Osc Dsbl goes low.

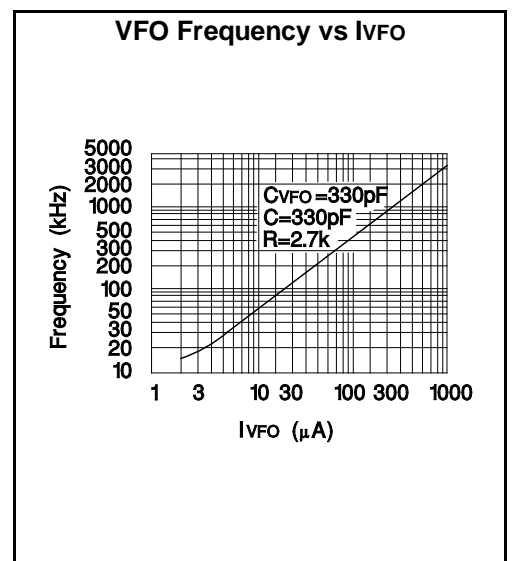
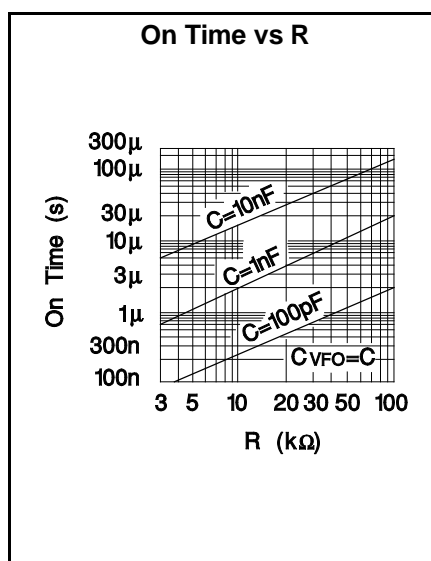
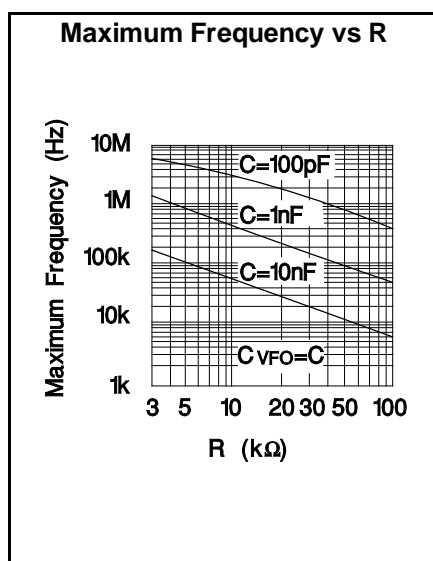
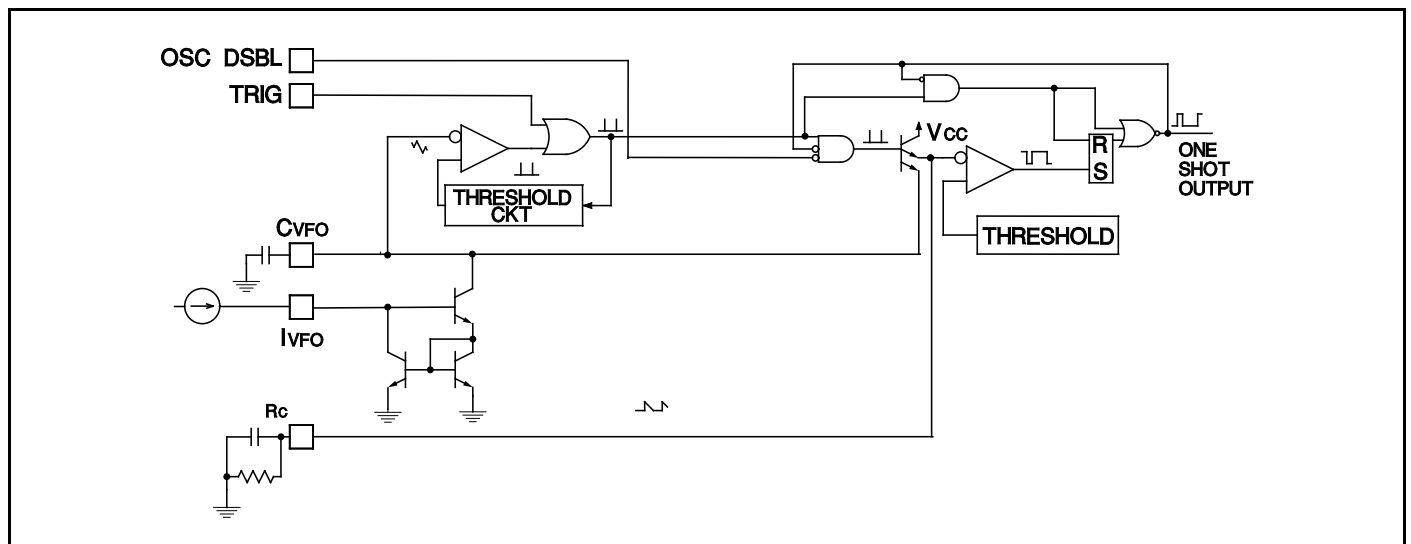
Normally low trigger pulses are used to synchronize the oscillator to a faster clock. Normally high trigger pulses can also be used to synchronize to a slower clock.

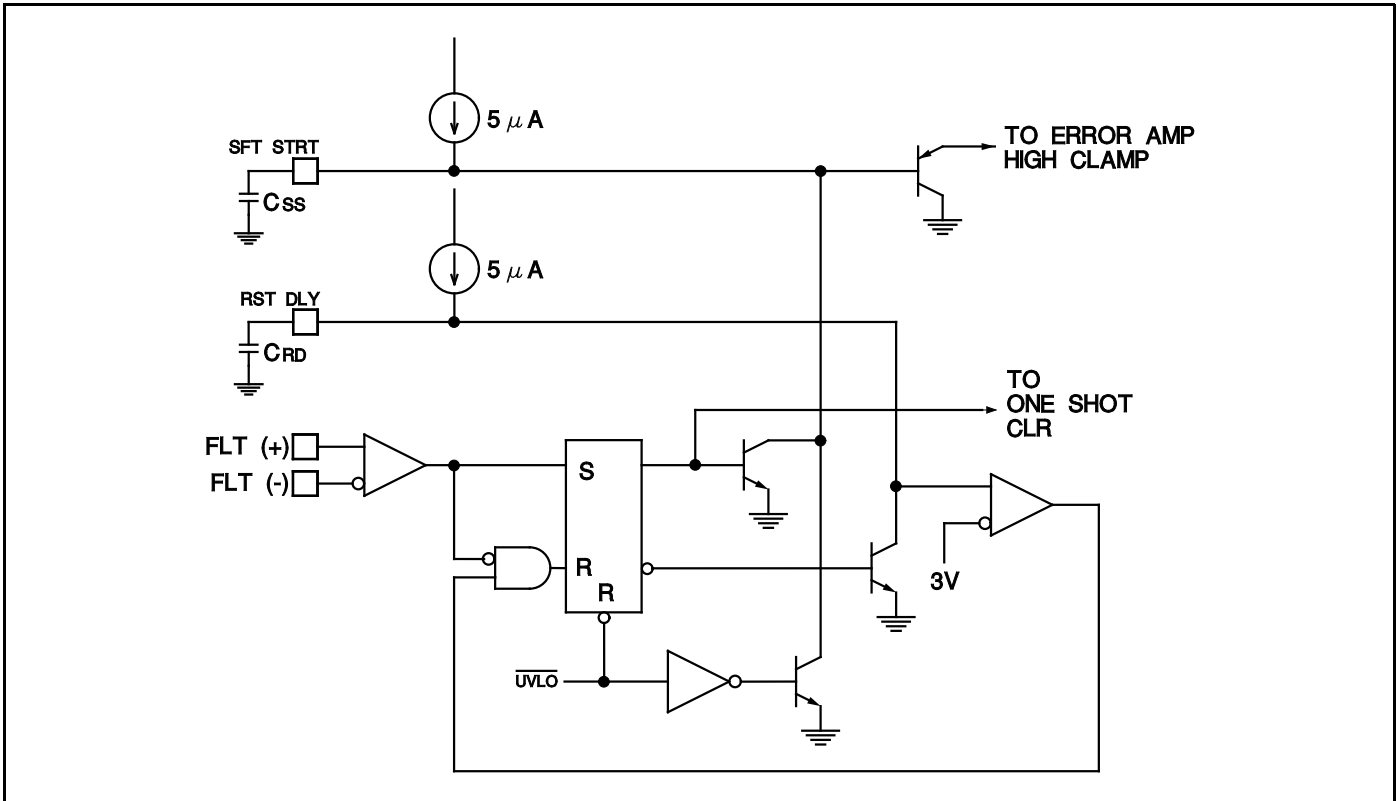
ONE SHOT TIMER

The one shot timer performs three functions and is programmed by the RC pin. The first function is to control output driver pulse width. Secondly, it clocks the toggle flip-flop. Thirdly, it establishes the maximum allowable frequency for the VFO. One shot operation is initiated at the beginning of each oscillator cycle. The RC pin, programmed by an external resistor and capacitor to ground, is charged to approximately 4.3V and then allowed to discharge. The lower threshold is approximately 80% of the peak. On time is approximately:

$$t(on) = 0.2 * R * C.$$

After crossing the lower threshold, the resistor continues to discharge the capacitor to approximately 3V, where it waits for the next oscillator cycle.





FAULT MANAGEMENT SECTION

During UVLO, the fault management section is initialized. The latch is reset, and both Sft Strt (soft start) and Rst Dly (restart delay) are pulled low. When Sft Strt is low, it lowers the upper clamp of the error amplifier. As Sft Strt increases in voltage, the upper clamp increases from a value equal to the lower clamp until it is 2V more positive. A capacitor to ground from the Sft Strt pin will control the start rate.

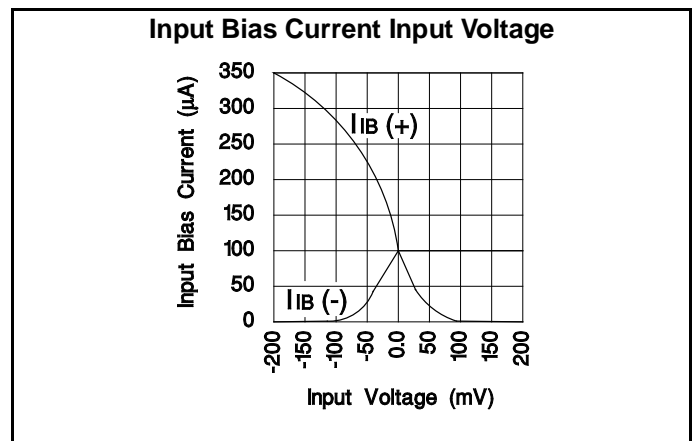
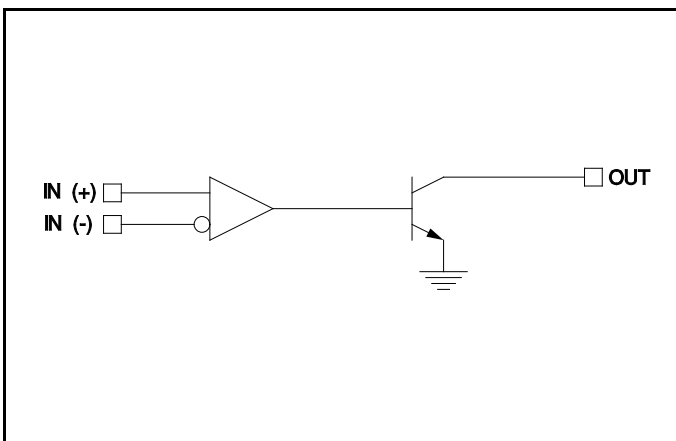
UNCOMMITTED COMPARATOR

The uncommitted comparator, biased from the reference voltage, operates independently from the rest of the chip. The open collector output is capable of sinking 2mA. The inputs are valid in the common mode range of -0.3 to

3.0V. As long as one of the inputs is within this range, the other can be as high as 5V.

The high speed fault comparator will work over the input common mode range of -0.3 to 3.0V. When a fault is sensed, the one shot is immediately terminated, Sft Strt is pulled low, and Rst Dly is allowed to go high. Three modes of fault disposition can easily be implemented. If Rst Dly is externally held low, then a detected fault will shut the chip down permanently. If the Rst Dly pin is left open, a fault will simply cause an interruption of operation. If a capacitor is connected from Rst Dly to ground, then hic-up operation is implemented. The hic-up time is:

$$t(off) = 600 \text{ kohm} * C(Rst Dly).$$



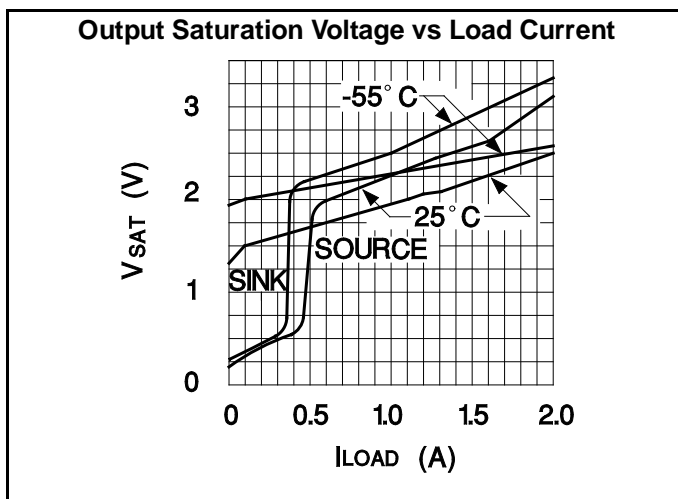
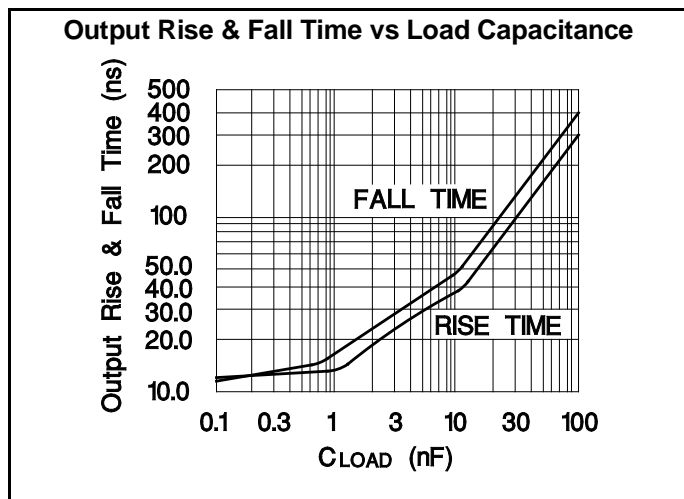
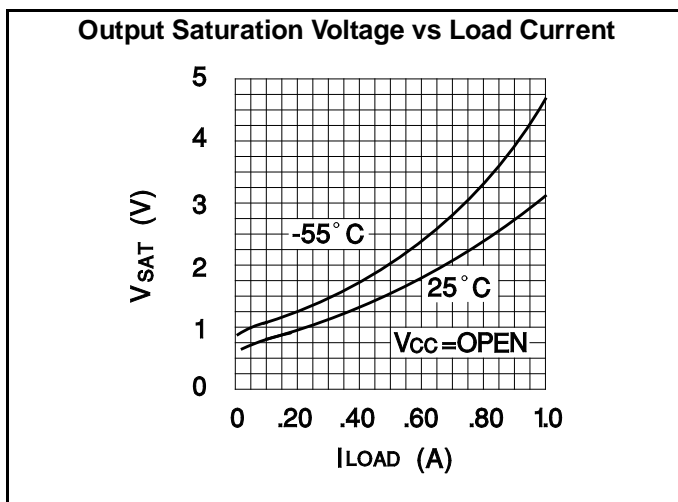
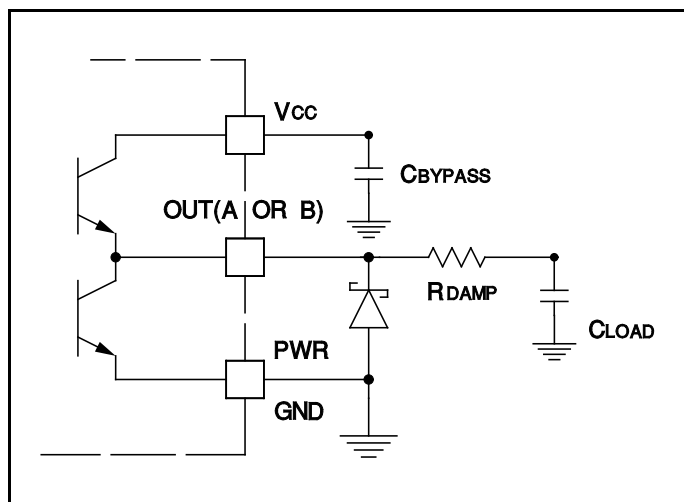
OUTPUT STAGE

The two totem pole output stages can be programmed by Mode to operate alternately or in unison. When Mode is low the outputs alternate. During UVLO, the outputs are low.

Extreme care needs to be exercised in the application of these outputs. Each output can source and sink transient currents of 2A or more and is designed for high values of di/dt . This dictates the use of a ground plane, shielded interconnect cables, Schottky diode clamps from the output pins to Pwr Gnd (power ground), and some series resistance to provide damping. Pwr Gnd should not exceed $\pm 0.2V$ from signal ground.

BYPASS NOTE

The reference should be bypassed with a $0.1\mu F$ ceramic capacitor from the VREF pin directly to the ground plane near the Signal Ground pin. The timing capacitors on CVFO and RC should be treated likewise. VCC, however, should be bypassed with a ceramic capacitor from the VCC pin to the section of ground plane that is connected to Power Ground. Any required bulk reservoir capacitor should parallel this one. The two ground plane sections can then be joined at a single point to optimize noise rejection and minimize DC drops.



IMPORTANT NOTICE

Texas Instruments and its subsidiaries (TI) reserve the right to make changes to their products or to discontinue any product or service without notice, and advise customers to obtain the latest version of relevant information to verify, before placing orders, that information being relied on is current and complete. All products are sold subject to the terms and conditions of sale supplied at the time of order acknowledgement, including those pertaining to warranty, patent infringement, and limitation of liability.

TI warrants performance of its semiconductor products to the specifications applicable at the time of sale in accordance with TI's standard warranty. Testing and other quality control techniques are utilized to the extent TI deems necessary to support this warranty. Specific testing of all parameters of each device is not necessarily performed, except those mandated by government requirements.

CERTAIN APPLICATIONS USING SEMICONDUCTOR PRODUCTS MAY INVOLVE POTENTIAL RISKS OF DEATH, PERSONAL INJURY, OR SEVERE PROPERTY OR ENVIRONMENTAL DAMAGE ("CRITICAL APPLICATIONS"). TI SEMICONDUCTOR PRODUCTS ARE NOT DESIGNED, AUTHORIZED, OR WARRANTED TO BE SUITABLE FOR USE IN LIFE-SUPPORT DEVICES OR SYSTEMS OR OTHER CRITICAL APPLICATIONS. INCLUSION OF TI PRODUCTS IN SUCH APPLICATIONS IS UNDERSTOOD TO BE FULLY AT THE CUSTOMER'S RISK.

In order to minimize risks associated with the customer's applications, adequate design and operating safeguards must be provided by the customer to minimize inherent or procedural hazards.

TI assumes no liability for applications assistance or customer product design. TI does not warrant or represent that any license, either express or implied, is granted under any patent right, copyright, mask work right, or other intellectual property right of TI covering or relating to any combination, machine, or process in which such semiconductor products or services might be or are used. TI's publication of information regarding any third party's products or services does not constitute TI's approval, warranty or endorsement thereof.