



Micro Commercial Components  
 21201 Itasca Street Chatsworth  
 CA 91311  
 Phone: (818) 701-4933  
 Fax: (818) 701-4939

# BU2525DF

## NPN Silicon Power Transistors

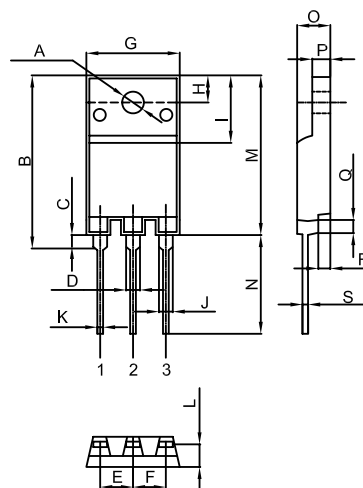
### Features

- High voltage, high speed switching NPN transistors.
- With TO-3PML package
- Intended for use in horizontal deflection circuits of color television receivers.

### Maximum Ratings

Symbol	Rating	Rating	Unit
$V_{CEO}$	Collector-Emitter Voltage	800	V
$V_{CBO}$	Collector-Base Voltage	1500	V
$V_{EBO}$	Emitter-Base Voltage	7.5	V
$I_{CP}$	Peak Collector Current	30	A
$I_C$	Collector Current	12	A
$P_C$	Collector power dissipation	45	W
$T_J$	Junction Temperature	-55 to +150	$^{\circ}C$
$T_{STG}$	Storage Temperature	-55 to +150	$^{\circ}C$

### TO-3PML



### Electrical Characteristics @ 25°C Unless Otherwise Specified

Symbol	Parameter	Min	Max	Units
--------	-----------	-----	-----	-------

#### OFF CHARACTERISTICS

$V_{(BR)CEO}$	Collector-Emitter Breakdown Voltage ( $I_C=100mA$ , $I_B=0$ )	800	---	Vdc
$V_{EBO}$	Emitter-Base Breakdown Voltage ( $I_B=600mA$ , $I_C=0$ )	7.5	---	Vdc
$I_{CBO}$	Collector-Base Cutoff Current ( $V_{CB}=1500Vdc$ , $I_E=0$ )	---	1.0	mAdc

#### ON CHARACTERISTICS

$h_{FE}$	Forward Current Transfer ratio ( $I_C=6.0Adc$ , $V_{CE}=5.0Vdc$ )	5.0	9.5	---
$V_{CE(sat)}$	Collector-Emitter Saturation Voltage ( $I_C=8.0Adc$ , $I_B=1.6Adc$ )	---	5.0	Vdc
$V_{BE(sat)}$	Base-Emitter Saturation Voltage ( $I_C=8.0Adc$ , $I_B=1.6Adc$ )	---	1.1	Vdc

DIM	DIMENSIONS				NOTE
	INCHES		MM		
	MIN	MAX	MIN	MAX	
A	.13	.14	3.20	3.60	∅
B	.81	.84	20.70	21.30	
C	.15	.17	3.80	4.20	
D	.10	.12	2.50	3.10	
E	.21	.22	5.25	5.65	
F	.21	.22	5.25	5.65	
G	.62	.64	15.80	16.20	
H	.19	.21	4.70	5.30	
I	.30	.33	7.70	8.30	
J	.07	.09	1.70	2.30	
K	.03	.05	.70	1.30	
L	.13	.15	3.20	3.80	
M	.85	.88	21.70	22.30	
N	.78	.82	19.90	20.90	
O	.21	.23	5.30	5.90	
P	.11	.13	2.80	3.40	
Q	.07	.09	1.70	2.30	
R	.07	.09	1.70	2.30	
S	.02	.03	.40	.80	